

FLEXEM—Resistive HMI 4000 Series

Module: FE4070C

Overview

- Plastic enclosure, low cost, high reliability.
- The main board is treated with a special coating (three anti-paint) to adapt to harsh environment.
- High resolution, high brightness, LED backlight, More energy saving and environmental protection.
- The USB host port supports U disk to storage and download data.
- 2-way serial port, more powerful expansion function.
- New configuration software, rich library, powerful features.

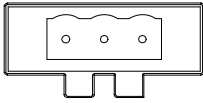
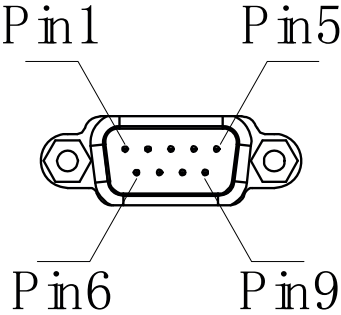


Appearance



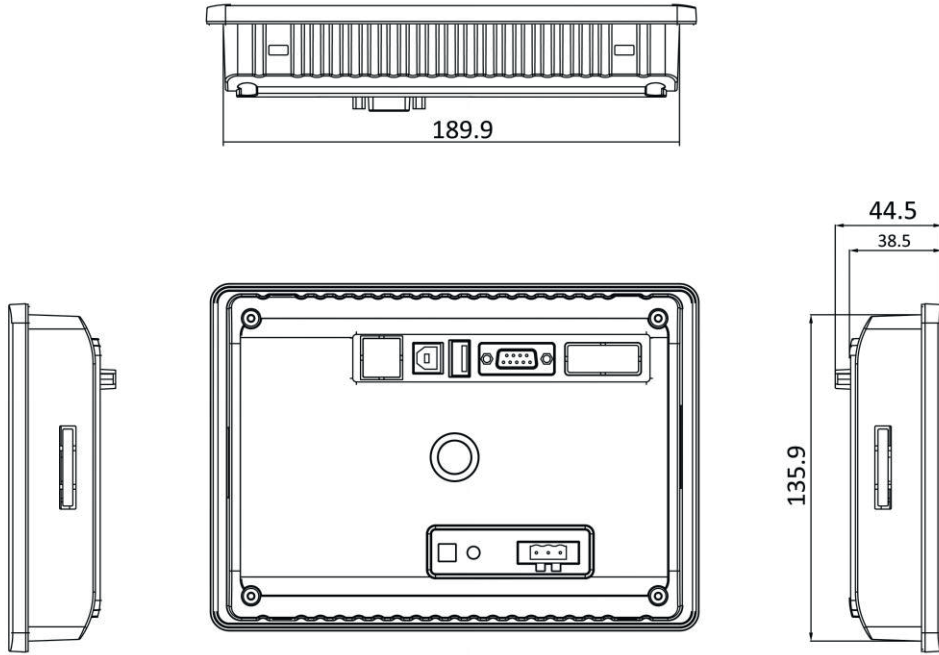
Specifications

Hardware Parameter	Display	7" 16:9 TFT LCD
	Resolution(WxH)	800×480
	Colors	24-bit
	Brightness	360 cd/m ²
	Backlight	LED
	LCD Life	50000 hours
	Touch Panel	4 wires resistive touch screen
	CPU	600MHz ARM Cortex-A8
	Memory	128M Flash + 128M DDR3
	RTC	Built in
	Ethernet	NA
	USB Port	USB Slave 2.0 Port*1, USB Host 2.0 Port*1
	Download Project	USB Slave Port/U-disk
	COM Port	COM1: RS232/RS485/RS422 COM3: RS232
	LCD viewing angle (T/B/L/R)	50'/70'/70'/70'
Electrical Specifications	Power Consumption	< 10W
	Input Power	DC24V, Working range DC 9V~28V
	Power Protection	Protected from thunder strike and surging
	Power Down Allowed	< 5mS
	CE & RoHS	Complied with EN61000-6-2:2005, EN61000-6-4:2007, RoHS, Surge Immunity:±1KV, EFT:±2KV, ESD:4KV, Air:8KV
Environmental Specifications	Operating Temperature	0~50°C
	Storage Temperature	-20~60°C
	Anti-UV	Not suitable to work in strong ultraviolet light (such as direct sunlight)
	Operating Humidity	10~90%RH(No Condensate)
	Vibration Endurance	10~25Hz(X,Y,Z Trend 2G/30 min)
	Cooling	Natural Air Cooling
Mechanical Index	Degree of Protection	Front IP65(with NEMA panel), Back IP20
	Mechanical Structure	Engineering plastic
	Panel Cutout	192mm×138mm
	Dimension	204mm×145mm×44.5mm
	Weight	About 575g

Wiring definition

Power Terminal (Pin1~3 from left to right)		
	Pin1	FG
	Pin2	0V
	Pin3	DC24V
DB9 Serial Terminal (COM1/COM3)		
	Pin1	Rx-(B)
	Pin2	RxD (COM1 RS232)
	Pin3	TxD (COM1 RS232)
	Pin4	Tx-
	Pin5	GND
	Pin6	Rx+(A)
	Pin7	RxD (COM3 RS232)
	Pin8	TxD (COM3 RS232)
	Pin9	Tx+
USB Host		
	USB Type A	Used to connect U disk, scan code gun and other peripherals
USB Slave		
	Micro USB	Used to download programs and debug

Size FE4070C



Panel Cutout (W*H): 192*138

Contact us

Flexem Turkey

Address: Egemenlik Mah. Cahit Zarifoglu Cad No 52/A
Dulkadiroglu/KAHRAMANMARAS - TURKEY

Telephone: +0 (216) 344 5099
Web: www.flexem.com.tr
E-Mail: info@flexem.com.tr