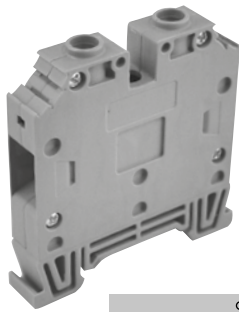
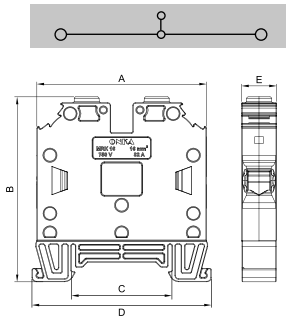


MRK SERIES SCREW CONNECTION RAIL TERMINAL BLOCKS


MRK 25
 Order No: 0302


Dimensions (mm)	A	B	C	D	E
	58	63,2	34,5	61,2	12

MATERIAL

Body	PA6.6
Bridge	Copper
Contact	CK45 Steel
Screw	Steel
Temp.	-40 °C, +140 °C
Cable Strip L.	18 mm
Torque	2,0 Nm


DATA

	TSE / CE
Voltage	750 V
Current	101 A
Section	25 mm ²
Norm	EN-60947-7-1

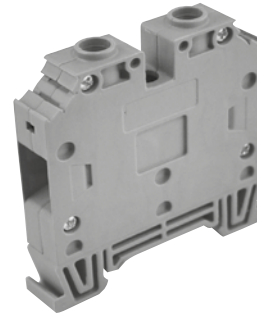
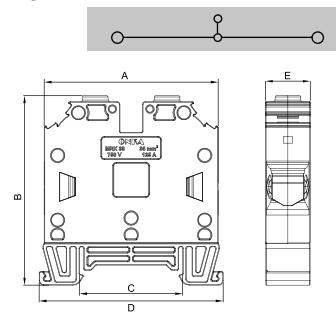
COLOURS

COLOUR	V2		V0
	Order No.	Order No.	Pcs.
GREY	1052	0802	50
CREAM	1053	0803	50
BLACK	1054	0804	50
BLUE	1055	0805	50
BROWN	1056	0806	50
RED	1057	0807	50
YELLOW	1058	0808	50
GREEN	1059	0809	50

ACCESSORIES

Cross Connection	Order No.	Section	Pcs.
		2257	16 / 2
	2258	16 / 3	40
	2259	16 / 4	40
	2260	16 / 5	25
	2265	16 / 10	10
Stopper	1202,1222,1212		
Group Sticker	1232		
Marking	9770 / 2630 / 4442 / 9540 / 7301		

With Non - Insulated Cord End Terminals


MRK 35
 Order No: 1062


Dimensions (mm)	A	B	C	D	E
	58	63,2	34,5	61,2	15

MATERIAL

Body	PA6.6
Bridge	Copper
Contact	CK45 Steel
Screw	Steel
Temp.	-40 °C, +140 °C
Cable Strip L.	18 mm
Torque	2,0 Nm

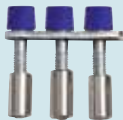
DATA

	TSE / CE
Voltage	750 V
Current	125 A
Section	35 mm ²
Norm	EN-60947-7-1

COLOURS

COLOUR	V2		V0
	Order No.	Order No.	Pcs.
GREY	1062	0812	30
CREAM	1063	0813	30
BLACK	1064	0814	30
BLUE	1065	0815	30
BROWN	1066	0816	30
RED	1067	0817	30
YELLOW	1068	0818	30
GREEN	1069	0819	30

ACCESSORIES

Cross Connection	Order No.	Section	Pcs.
		2266	35 / 2
	2267	35 / 3	40
	2268	35 / 4	40
	2269	35 / 5	25
	2274	35 / 10	10
Stopper	1202,1222,1212		
Group Sticker	1232		
Marking	9770 / 2630 / 4442 / 9540 / 7301		