

Autonics High Accuracy PID Temperature Controller TK4 SERIES INSTRUCTION MANUAL



Thank you for choosing our Autonics product. Please read the following safety considerations before use.

Safety Considerations

- Please observe all safety considerations for safe and proper product operation to avoid hazards. Warning Failure to follow these instructions may result in serious injury or death. Caution Failure to follow these instructions may result in personal injury or product damage.

Caution

- When connecting the power input and relay output, use AWG 20 (0.50mm2) cable or over and tighten the terminal screw with a tightening torque of 0.74-0.90Nm. When connecting the sensor input and communication cable without dedicated cable, use AWG 28-26 cable or over and tighten the terminal screw with a tightening torque of 0.74-0.90Nm.

Ordering Information

TK 4 N -1 4 R N. Table defining options for Standard, Heating & Cooling, Power supply, Input/Output option, and Size.

- 1. In case of TK4N/SP Series, option control selection and digital input will be limited due to number of terminals. \*S\* represents SSR drive output support models which SSR function (standard ON/OFF, cycle, phase) control are available.

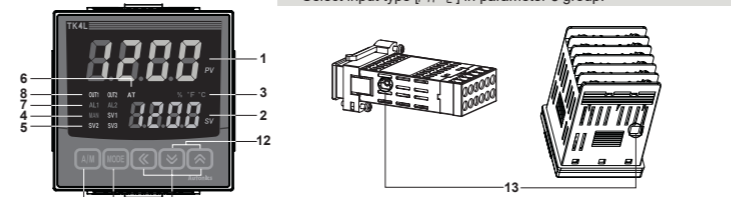
Shaded descriptions are upgraded or added functions from the before TK Series. The above specifications are subject to change and some models may be discontinued without notice.

Specifications

Table of Specifications for Series TK4N, TK4SP, TK4S, TK4M, TK4W, TK4H, TK4L. Includes details on power supply, input type, display accuracy, control output, and alarm output.

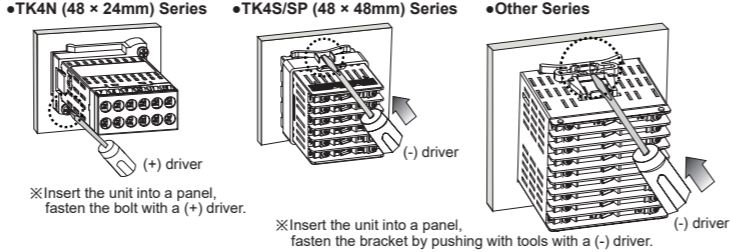
- \*1: At room temperature range (23°C±5°C). \*Thermocouple K, J, T, N, E type, below -100°C / Thermocouple L, U, PLII, Cu50Ω, DPT 50Ω.

Unit Description



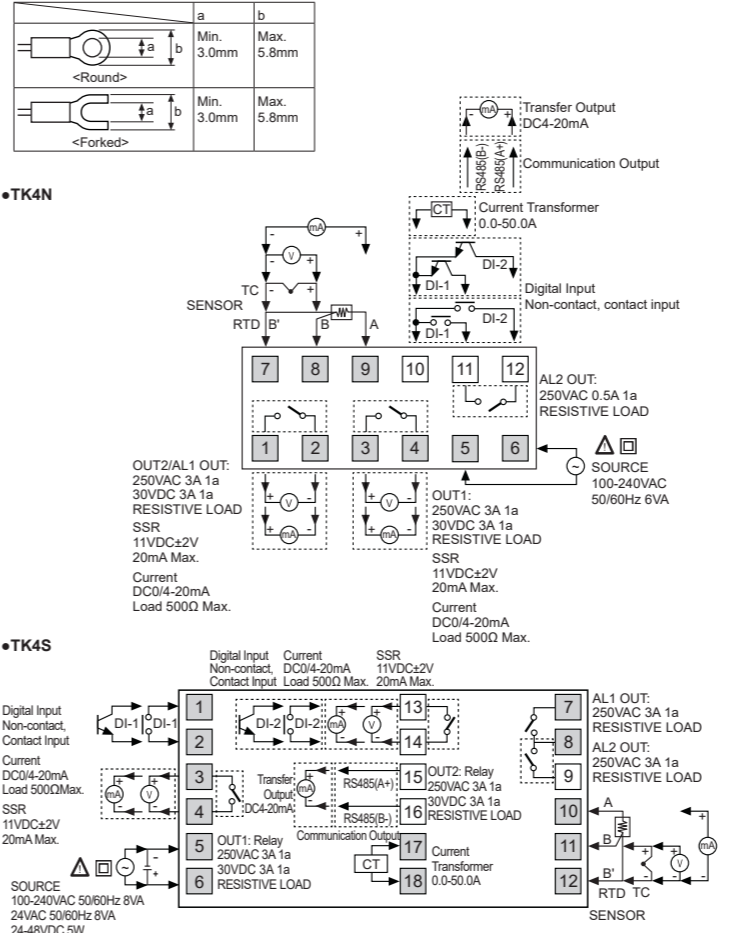
- 1. Measured value (PV) display part: RUN mode: It displays currently measured value (PV). Setting mode: It displays the parameter.

Installation

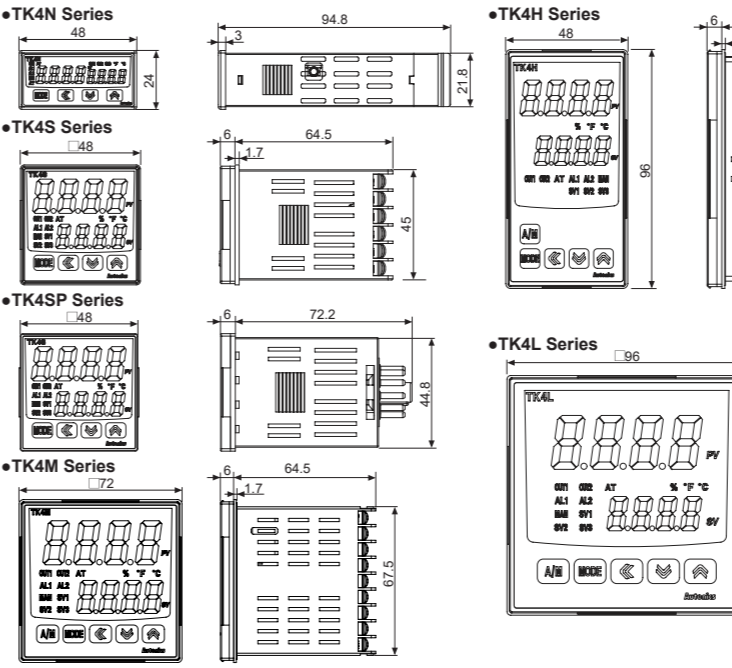


Connections

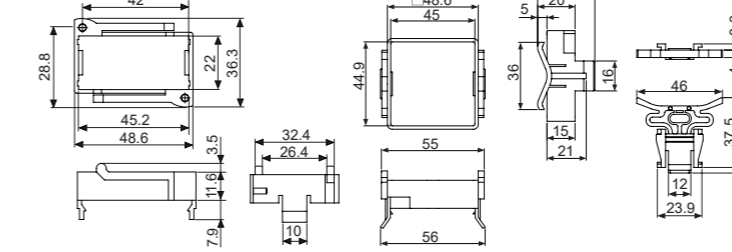
Standard model has shaded terminals only. When the operation mode of heating&cooling OUT2 relay output model is heating or cooling control, the OUT2 is usable as alarm output 3 (except TK4N Series).



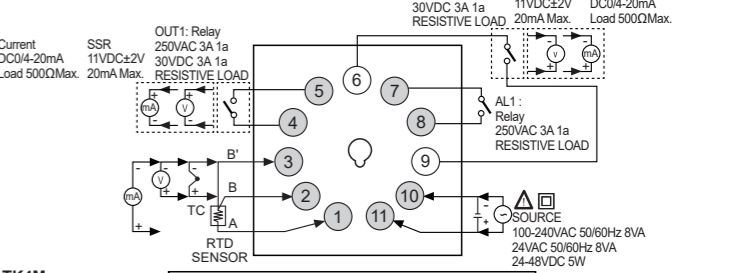
Dimensions



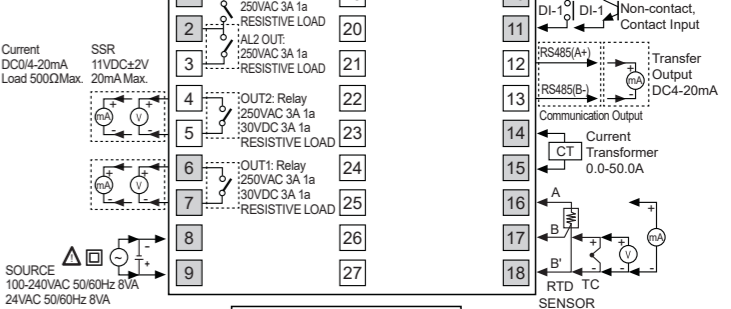
Bracket



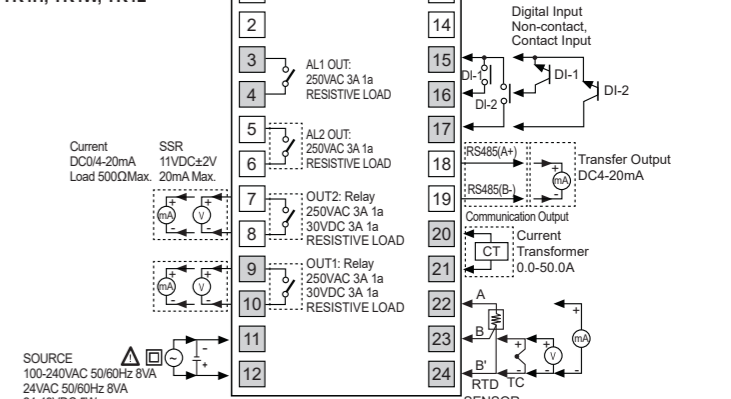
TK4SP



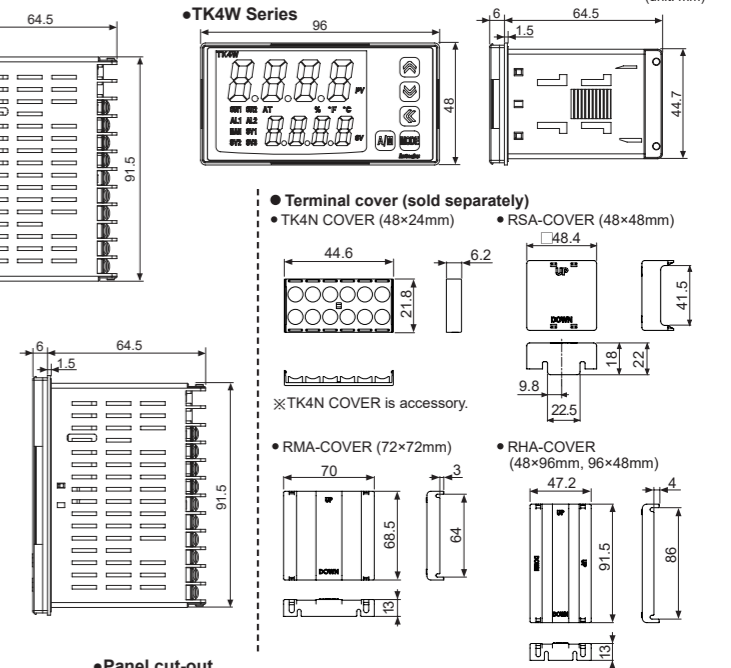
TK4M



TK4H, TK4W, TK4L



Terminal cover



Panel cut-out

Table showing panel cut-out dimensions (A, B, C, D) for models TK4N, TK4S, TK4S (P), TK4M, TK4H, TK4W, and TK4L.

