

# Model PFA

Small Size, Low Cost Pressure Transmitter

## Description

The PFA model which is pressure transmitters feature high quality, high stability, small size, low weight, compact structure, low cost and mass production. The pressure port is machined from a solid piece of 17-4PH stainless steel. There are no O-rings, organics or welds exposed to the pressure media.

## Features

- ▶ CE Certified
- ▶ Built-in amplifier Circuit(VDC, mA)
- ▶ Measuring range 0~100kPa ... 60MPa
- ▶ 0.5%FS accuracy
- ▶ Stainless steel media-wetted materials

## Applications

- ▶ Refrigeration Systems
- ▶ Automotive Test Stands
- ▶ Gas compressors
- ▶ Industrial process control
- ▶ Pumps and Compressors
- ▶ Hydraulic/Pneumatic

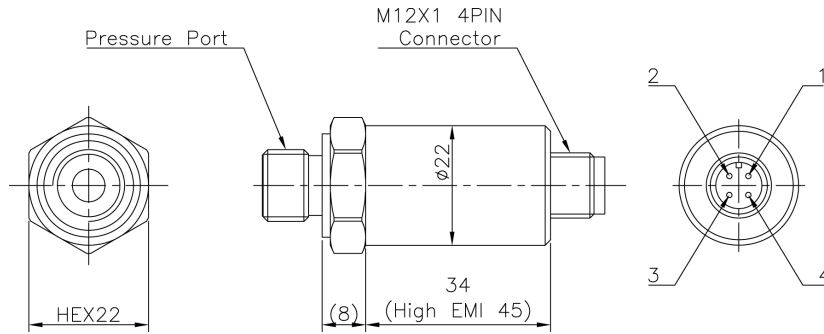


## Specifications

	Standard	High EMI
<b>Range</b>	0~500kPa ... 60MPa(Gauge) 0~500kPa ... 60MPa(Absolute)	0~100kPa ... 60MPa(Gauge) -100kPa~100kPa ... 60MPa(Gauge) 0~100kPa ... 60MPa(Absolute)
<b>Performance</b>		
Accuracy		±0.5%FS(RSS)
Thermal Effect on Zero		±0.05%FS/°C
Thermal Effect on Span		±0.05%FS/°C
Compensated Temperature Range		-20 ~ 85°C
Operating Temperature Range		-40 ~ 85°C
<b>Electrical</b>		
Excitation	4.75~5.25VDC / 9~30VDC / 9~30VDC / 15~30VDC / 9~30VDC	
Output	0.5~4.5VDC / 0~5VDC / 1~5VDC / 0~10VDC / 4~20mA(2Wire)	
Electrical Connection	Mini DIN Connector, M12 Connector	
<b>Physical</b>		
Proof Pressure		200%FS Max.
Burst Pressure		300%FS Min.
Vibration		49.1m/s <sup>2</sup> {5G}, 10~500Hz
Shock		490m/s <sup>2</sup> {50G}
Pressure port	R(PT)1/4", G(PF)1/4", (Other Connection Available on Request)	
Media-Wetted Materials	Stainless Steel 630	
Weight	Approx. 100g (Mini DIN Connector Type)	

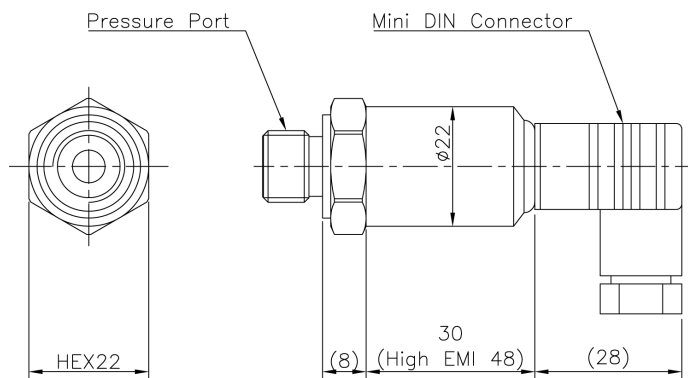
## Dimension

### ► M12 Connector Type



Pin No.	Wire Color	Connections	
		3Wire	2Wire
1	Brown	Input ⊕	Input ⊕
2	White	Output ⊕	x
3	Blue	Common ⊖	Output ⊕
4	Black	Earth	Earth

### ► Mini DIN Connector Type



Pin No.	Connections	
	3Wire	2Wire
1	Input ⊕	Input ⊕
2	Output ⊕	Output ⊕
3	Common ⊖	
⊕	Earth	Earth

## Ordering Information

Model Name		PFA H 0010 M C E G		Type of Pressure Measurement	
<b>Output</b>	C : 0~5V E : 1~5V H : 2Wire 4~20mA	J : 0~10V Z : 0.5~4.5V		G : Gauge(Standard) J : Absolute(Standard) E : Gauge(High EMI) F : Absolute(High EMI)	
<b>Pressure Range</b>	XXXX : Pressure			<b>Connecting Methods</b>	E : M12 Connector M : Mini DIN Connector
<b>Pressure Unit</b>	M : MPa P : psi	B : bar		<b>Pressure port</b>	C : R(PT)1/4"      D : G(PF)1/4"